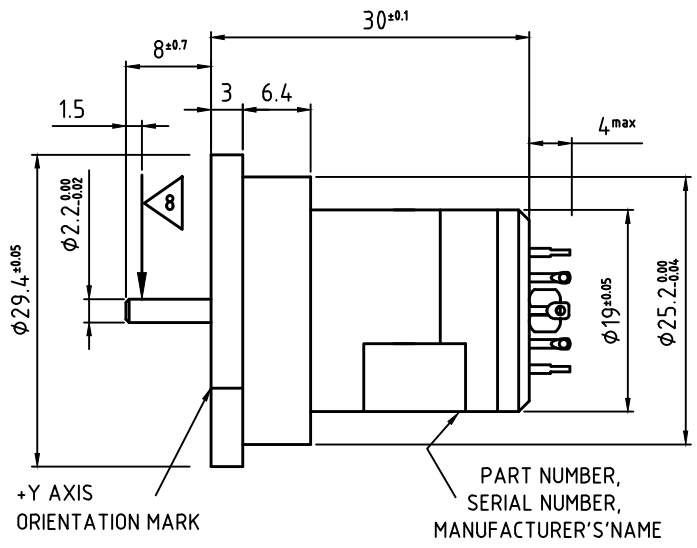
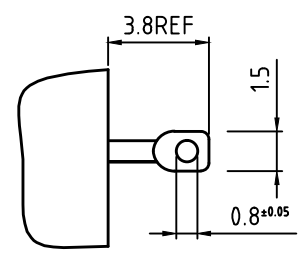
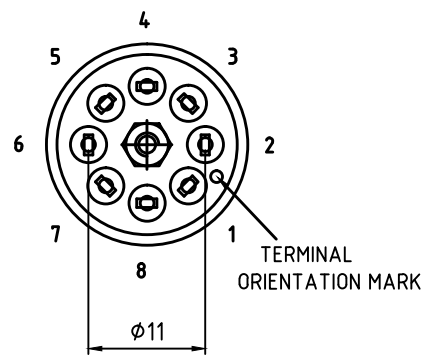
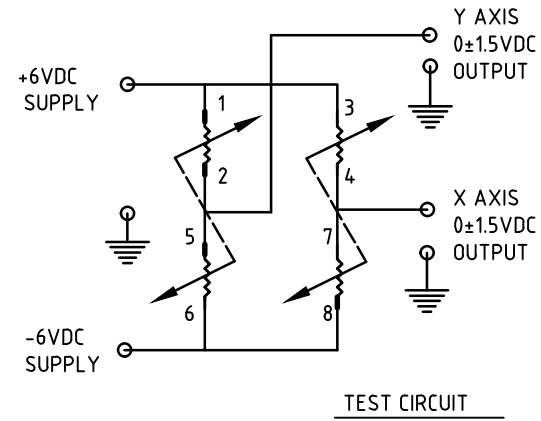


Area		Rev.	Description	Date	Drawn	Approved
------	--	------	-------------	------	-------	----------

NOTES (further info on Doc. SO.GE.IN.J01)

1. ABSOLUTE MAX EXCITATION IS 6 VDC OR AC RMS ACROSS EACH ELEMENT (0.1W/EL).
2. RESISTANCE OF EACH ELEMENT: 410 ±10% OHM.
3. SENSITIVITY: 0.10 V (±20%) PER NEWTON FORCE FOR TEST CIRCUIT SHOWN (±6V).
4. SENSITIVITY TEMPERATURE COEFFICIENT: ±0.2% PER °C MAX.
5. NULL OFFSET: ±0.18 V MAX FOR TEST CIRCUIT SHOWN (±6V).
6. NULL TEMPERATURE COEFFICIENT: ±0.04% OF FULL SCALE OUTPUT PER °C MAX.
7. NULL HYSTERESIS: ±0.007 V MAX AFTER 5 SECONDS FOLLOWING RELEASE OF 16.3 N APPLIED FORCE, FOR TEST CIRCUIT SHOWN (±6V).
8. APPLIED FORCE: 0 TO 15 N LIMITED BY A MECHANICAL STOP. ABSOLUTE MAX IS 120 N.
9. RESOLUTION: INFINITE, NO DEAD ZONE.
10. CASE MATERIAL: BRASS AND BLACK ANODIZED ALUMINIUM ALLOY.
11. SEAL TYPE: ELASTOMETRIC COATING AND CONDUCTIVE RUBBER BOOT.



Material:	Coating:	General tolerances:	
Part description: MINIATURE TWO AXIS JOYSTICK MODEL EB215	Part number: EB215	P/N rev. 0	USE LM No FIN No
Drawing description: SPECIFICATION CONTROL DRAWING	Drawing: J01-CD01	Drawing rev. 0	TS No PA No SL No CA No CD No DFT No
 S.r.l. - Via Bordiniana, 11 - MASSA - ITALY Phone: ++39/585/251616 Fax: ++39/585/251711 E-mail: sogein@sogein.eu		Action Date Signature Drawn 27/04/2001 RBF Checked 27/04/2001 AG Approved 27/04/2001 MDA	Model 3D: EB215 Unit: mm Scale: 2:1 Size: A3 Sheet: 1 of 1

This document may only be used the content of this document is the exclusive property of SO.GE.IN. This document cannot be communicated to third parties or reproduced in whole or in part. SO.GE.IN. will protect its rights under terms of law.