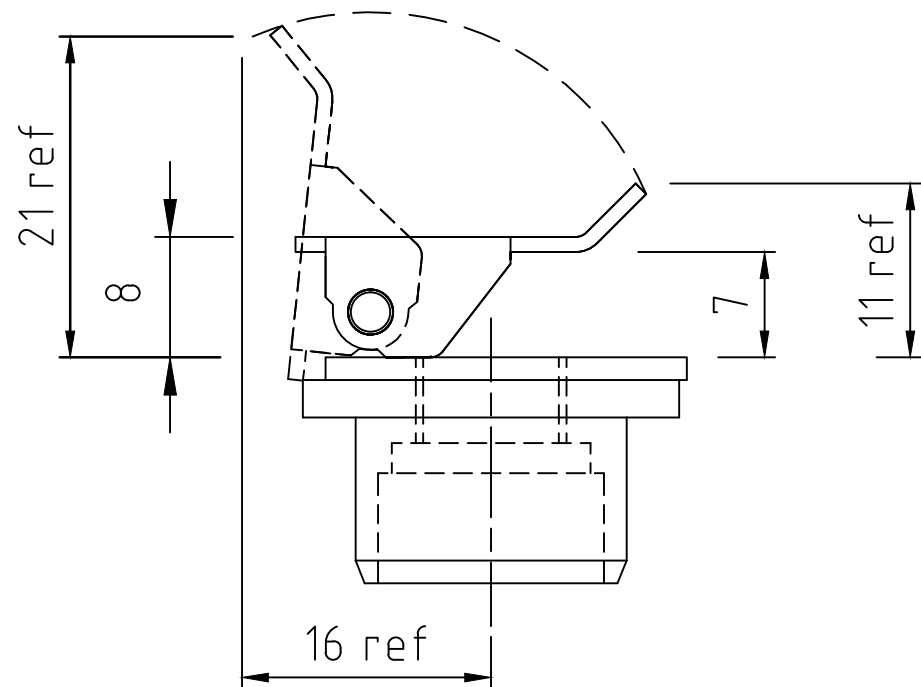
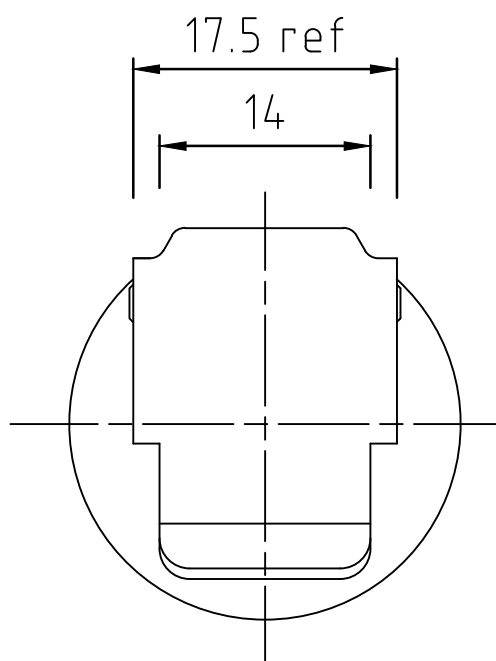


THREADED 15/32-32 NS (AVAILABLE T.B.D.)



GENERAL CHARACTERISTICS :

- 1 STABLE POSITION
- OPERATING TEMPERATURE -55°C +85°C
- STORAGE -55°C +85°C
- FORCE FOR LIFT FLAP 0.8 ± 0.5 N
- MECHANICAL ENDURANCE 10.000 CYCLE

MATERIAL :

COVER AISI304 FINISH BLACK MIL SPECIFICATION 13924
 (AVAILABLE RED PAINTED)
SUPPORT ALLUMINIUM ALLOY
 BLACK ANODIZED MIL-A8625

1	30/08/2007	ALLUNGATO FLAP PER APPOGGIO MOLLA	RBF		
0	08/02/2007	FIRST EMISSION	LB		
REV.	DATE	DESCRIPTION	DRAWN	CONTROLLED	APPROVED
CUSTOMER:			Customer P/N:		
LEGEND: GA-013-00		CATEGORY:	MATERIAL: Aluminium	WEIGHT:	
GARD ASSEMBLY		CRITICAL:	TREATMENT:	SCALE: 2:1	
		SPEC. TECN. N° :	SUPERSEDES:	COMPLEMENTARY DOCUMENTS:	
		MODIFIES:	SCALE:	REV.	
 S.r.l. - VIA BORDIGONA, 9 - MASSA - ITALY Phone : ++39 0585251616 Fax : ++39 0585251711 E-mail : sogein@zia.ms.it		ACTION	DATE	NAME	DWG. NUMBER:
	DRAWN	08/02/2007	LB		GA-013-00
	CONTROLLED				REV.
	APPROVED				SHEET