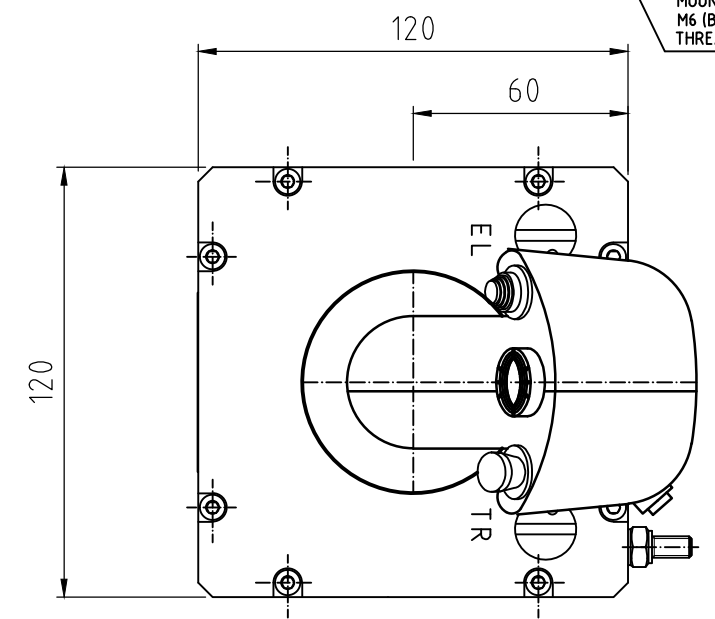


MOUNTING THREADS:
M6 (BUSH SO.GE.IN. TYPE GM33/06)
THREAD DEPTH 8mm

⊕	0.3	A	B	C
---	-----	---	---	---

SWITCHES COLOUR:
Safety cover: black
Trigger (S1),BAR(S2): red
Toggle (S3),toggle(S4) : black
Pushbutton (S5) : white

* BLANKING PLUG INSTEAD OF S5
WIRING FOR S5 INTERNALLY WIRED



REV.	DATE	DESCRIPTION	DRAWN	CONTROLLED	APPROVED
7	11/10/2007	ADDED GROUND TURRET AND MOD. P/N	RBF		
6	9/11/2005	DELETED MATERIAL AND PAINTING NOTES	RBF		
5	20/10/2005	MODIFIED ACCORDING TO CUSTOMER REQUEST(E-MAIL13/10/05)	RBF		
4	30/09/2005	BASE BOX COLOUR MODIFIED	RBF		
3	01/3/05	REPLACED S5 PUSHBUTTON WITH PLUG	RBF		
2	4/11/04	MOD. DESCRIZIONE POS. A E B	RBF		
1	20/09/04	MOD. ACCORDING TO CUSTOMER REQUEST	RBF		
0	09/09/2004	FIRST EMISSION	RBF		

COSTUMER:			SUPPLY:		
LEGEND: GUN CONTROL HANDLE P/N GNGE20000A rev.5 SPECIFICATION CONTROL DRAWING SO.GE.IN P/N GM33 rev 4		CATEGORY:	MATERIAL:	WEIGHT:	
		CRITICAL:	TREATMENT:		
		SPEC. TECN. N° :	SUPERSEDES: MODIFIES:	SCALE: 1:2	
 S.r.l. - VIA BORDIGONA, 9 - MASSA - ITALY Phone : ++39/585/251816 Fax : ++39/585/251711 E - mail : sogein@zia.it		ACTION	DATA	NAME	COMPLEMENTARY DOCUMENTS:
		DRAWN	09/09/04	RBF	DWG. NUMBER: GM33 rev 4
		CONTROLLED			SHEET 1/3
		APPROVED			

This drawing is exclusive property of SO.GE.IN S.r.l. (MASSA, Italy) - Copy and transmission are prohibited by the terms of law