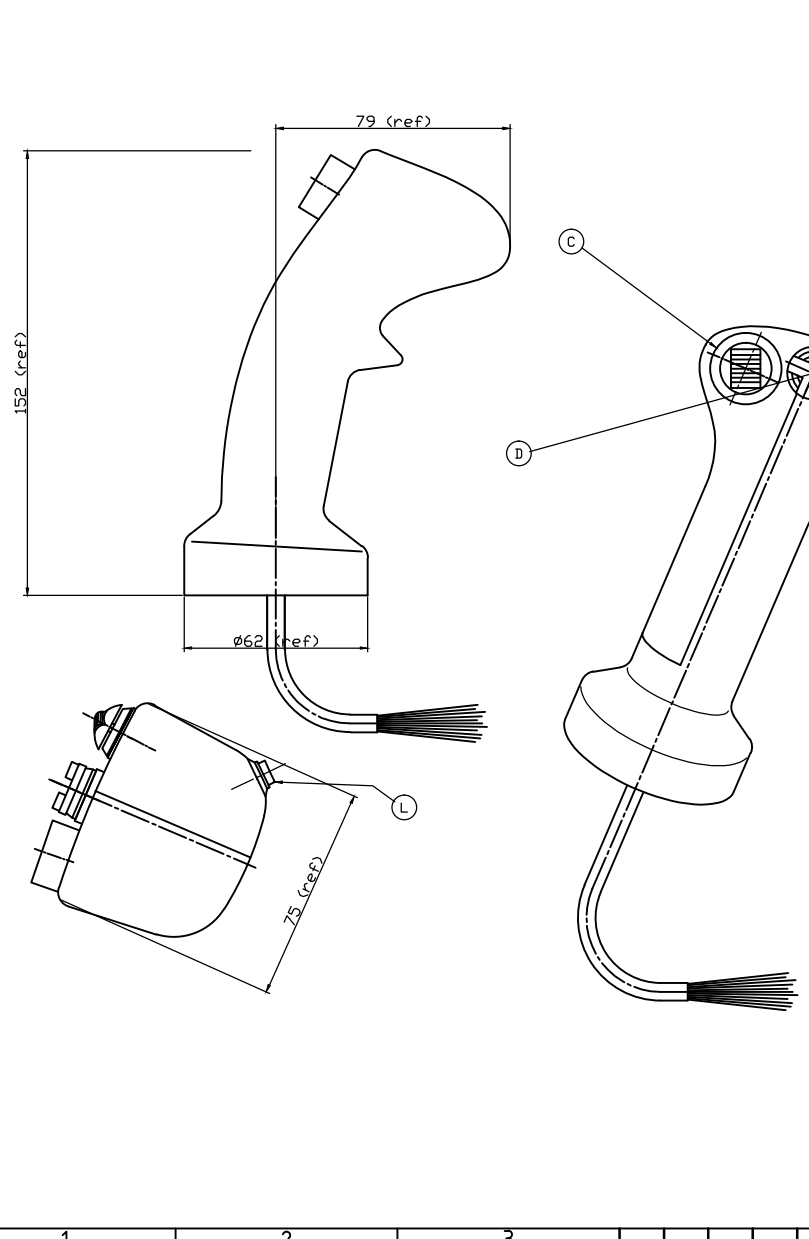


1 2 3 4 5 6 7 8

A  
B  
C  
D  
E  
F



NOTES:

- 1) Wiring: type ET 24-19 MIL-W-16878, vinyl sleeving covered, harness length 0.3 m min
- 2) "C" toggle switch actuation force: 3 to 6 N
- 3) "D" switch actuation force: 3 to 6 N
- 4) "L" switch actuation force: 5 to 10 N
- 5) "B" switch actuation force: 15 to 25 N
- 6) Label: Manufacturer's name, part number, revision of the part number, serial number and data code .

7) Production Index : Rev. 2

POS.	DWG. NUMBER	DESCRIPTION	MATERIAL	UNI/other	Q.TY	WEIGHT
D	TS-4-05	TOGGLE SWITCH		SD.GE.IN	1	
L	P41	SWITCH (white button)		SD.GE.IN	1	
C	TS-2-07	TOGGLE SWITCH (BLACK)		SD.GE.IN	1	
B	P40	SWITCH (red button black shroud)		SD.GE.IN	1	

REV.	DATE	DESCRIPTION	DRAWN	CHECKED	APPROVED
5	15/05/13	ADDED NOTE 7 ACCORDING TO CUSTOMER REQUEST AND UPDATED NOTE 6	RBF	AG	MD
4	July/2012	MOD. NOTE PAINTING SPECIFICATION (SHEET 2)	RBF	AG	MD
3	09/11/2010	UPDATING P/N POS. B-C-L-D	RBF	AG	MD
2	06/10/06	MOD. PAINTIN SPECIFICATION CYCLE (SHEET 2)	RBF	AG	MD
1	23/02/06	MOD. NOTE SPECIFICATION PAINTING (SHEET 2)	RBF	AG	MD
0	17/02/03	FIRST CAD EMISSION FROM HG/VWPP/00-C001 REV.2	MB	AG	MD

Part description : Grip HG215CC		Part number : HG215CC		P/N rev. 2		USE	
Drawing description : CONTROL GRIP MODEL		Drawing : HG215CC SHEET 1		Drawing rev. 5		LM No	
		Model 3D: HG215CC		PA No		FIN No	
				SL No		TS No	
SpA - Via Bardonecchia - MASSA - ITALY Phone : +39 0585 25144 Fax : +39 0585 25171 E - mail : sales@sdge.in , eu		ACTION DATE SIGNATURE DRAWN 17/02/03 MB CHECKED 17/02/03 AG APPROVED 17/02/03 MD		Unit : mm Scale: 1:1.5 Size: A3		CA No DS YES	

This document may only be used the content of this document is the exclusive property of SD.GE.IN. This document cannot be communicated to third parties or reproduced in whole or in part. SD.GE.IN. will protect its rights under terms of law.

1 2 3 4 5 6 7 8