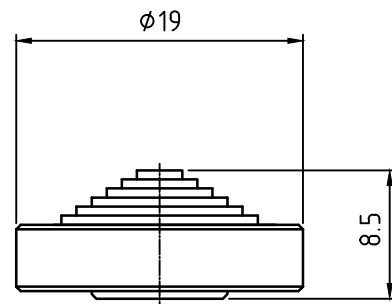
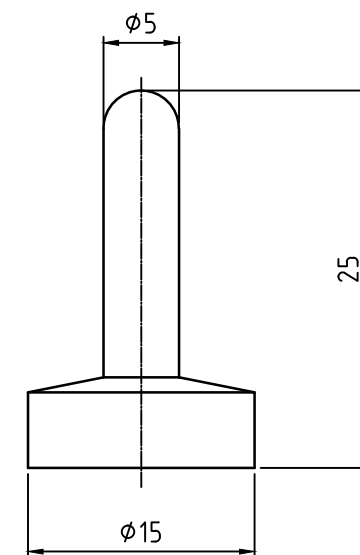


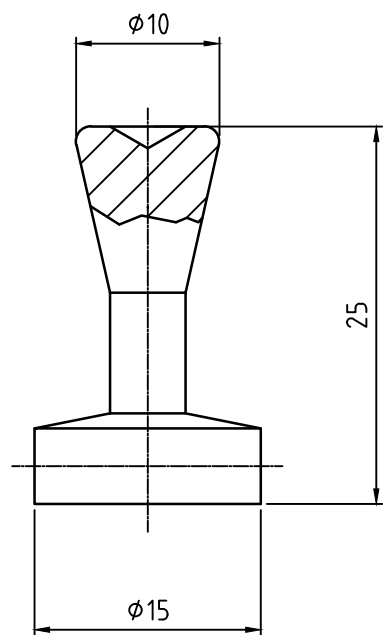
KNURLED THUMB KNOB
MODEL JT01



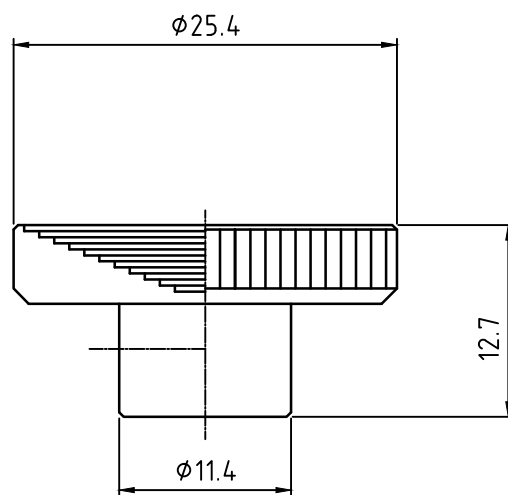
COOLIE HAT KNOB
MODEL JT02



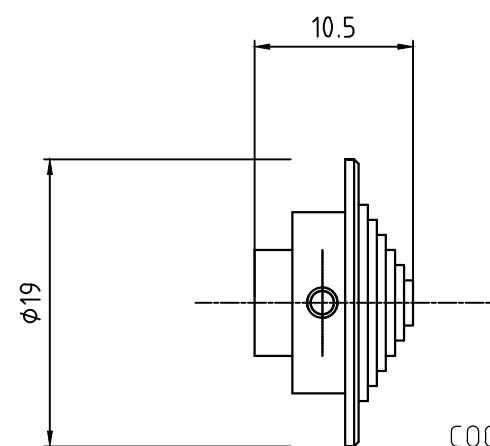
FINGER TIP HANDLE
MODEL JT03



FINGER TIP HANDLE
MODEL JT04



KNURLED THUMB KNOB
MODEL JT06



COOLIE HAT KNOB P/N JT-08

REV.	DATE	DESCRIPTION	DRAWN	CONTROLLED	APPROVED
5	04-03-09	CORRETTO QUOTE	RBF		
4	06/05/03	JT-14 ADDED	MB		
3	02/11/02	DRAWING VIEWS ADDED	MB		
2	29/11/02	KNOBS 10,12,13 ADDED DWG. NUMBER MODIFIED	MB		
1	14/02/01	ADDED JT-08 AND JT-09	RBF		

COSTUMER:

SUPPLY:

LEGEND: KNOBS FOR JOYSTICK
SPECIFICATION CONTROL DRAWING

CATEGORY:

MATERIAL:

WEIGHT:

CRITICAL:

TREATMENT:

SPEC. TECN. N° :

SUPERSEDES:

SCALE: 2:1

MODIFIES:

SO.GE.IN.

ACTION

DATA

NAME

COMPLEMENTARY DOCUMENTS:

DRAWN

02/05/01

RBF

DWG. NUMBER:

SHEET 1/3

CONTROLLED

APPROVED

J-10

S.r.l. - VIA BORDIGONA, 9 - MASSA - ITALY
Phone : ++39/585/251616
Fax : ++39/585/251711
E - mail : sogein@zia.it

This drawing is exclusive property of SO.GE.IN S.r.l. (MASSA, Italy) - Copy and transmission are prohibited by the terms of law