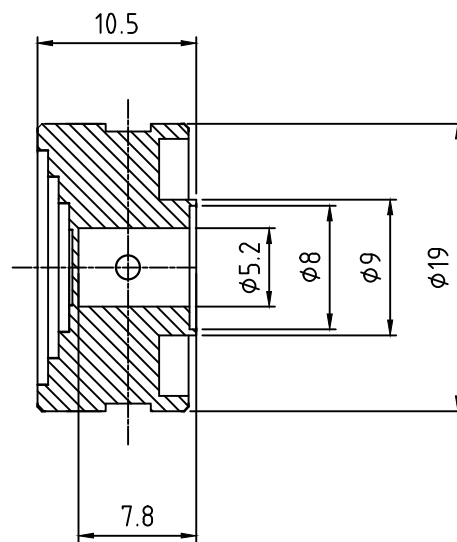
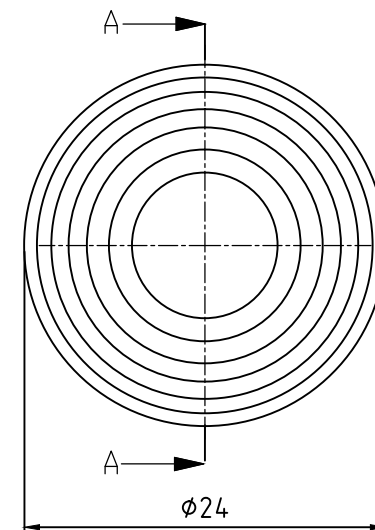


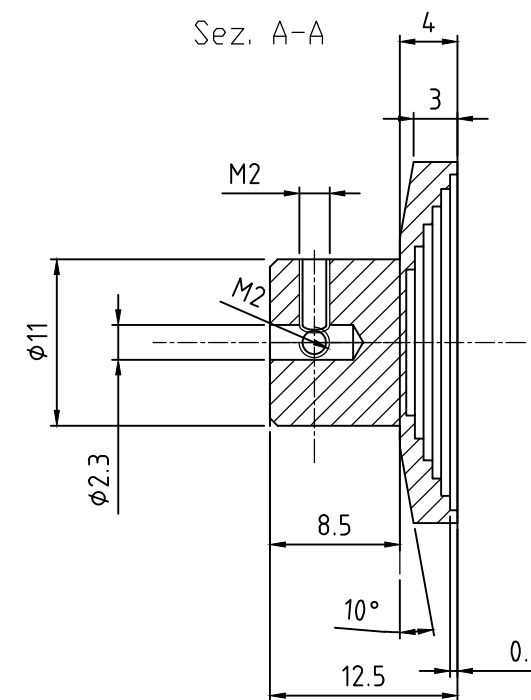
Knob P/N JT-12



Knob P/N JT-13



Knob P/N JT-14



5	04-03-09	CORRETTO QUOTE	RBF		
4	31/10/2005	AGGIUNTO JT12	RBF		
3	06/05/03	JT-14 ADDED	MB		
3	02/11/02	DRAWING VIEWS ADDED	MB		
2	29/11/02	KNOBS 10,12,13 ADDED DWG. NUMBER MODIFIED	MB		
1	14/02/01	ADDED JT-08 AND JT-09	RBF		
REV.	DATE	DESCRIPTION	DRAWN	CONTROLLED	APPROVED

COSTUMER:

SUPPLY:

LEGEND: KNOBS FOR JOYSTICK  
SPECIFICATION CONTROL DRAWING

CATEGORY:

MATERIAL:

WEIGHT:

CRITICAL:

TREATMENT:

SPEC. TECN. N° :

SUPERSEDES:

SCALE: 2:1

MODIFIES:

**SO.GE.IN.**

ACTION

DATA

NAME

COMPLEMENTARY DOCUMENTS:

DRAWN

02/05/01

RBF

DWG. NUMBER:

SHEET 3/3

CONTROLLED

APPROVED

J-10

S.r.l. - VIA BORDIGONA, 9 - MASSA - ITALY  
Phone : ++39/585/251616  
Fax : ++39/585/251711  
E-mail : sogein@zia.it

This drawing is exclusive property of SO.GE.IN S.r.l. (MASSA, Italy) - Copy and transmission are prohibited by the terms of law