

1) MECHANICAL
 GRIPS MATERIAL : EN AC 42000 UNI EN 1706-99
 PROTECTION : ALODYNE 1200S-MIL C-5541E
 GRIPS FINISH : Nextel cycle 3101
 PRIMER: 5523
 COATING:3101
 COLOUR: BLACK CODE S.139
 SPECIFICATIONS

Identification label: Manufacturer,
 P/N:XXXXX, S/N:XXXX, REVX, (MM/YYYY)

2) ELECTRICAL
 Wiring: type M16878/4-BEE

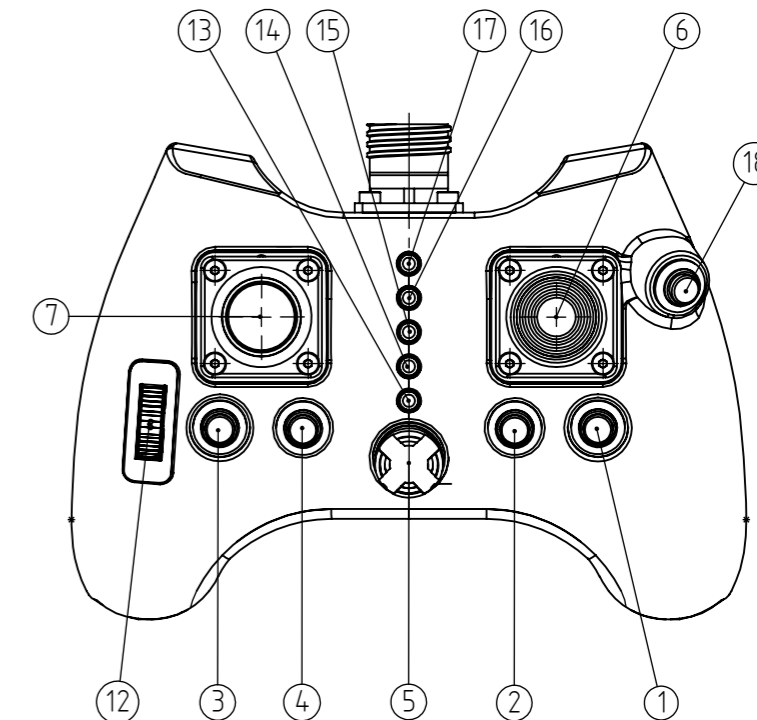
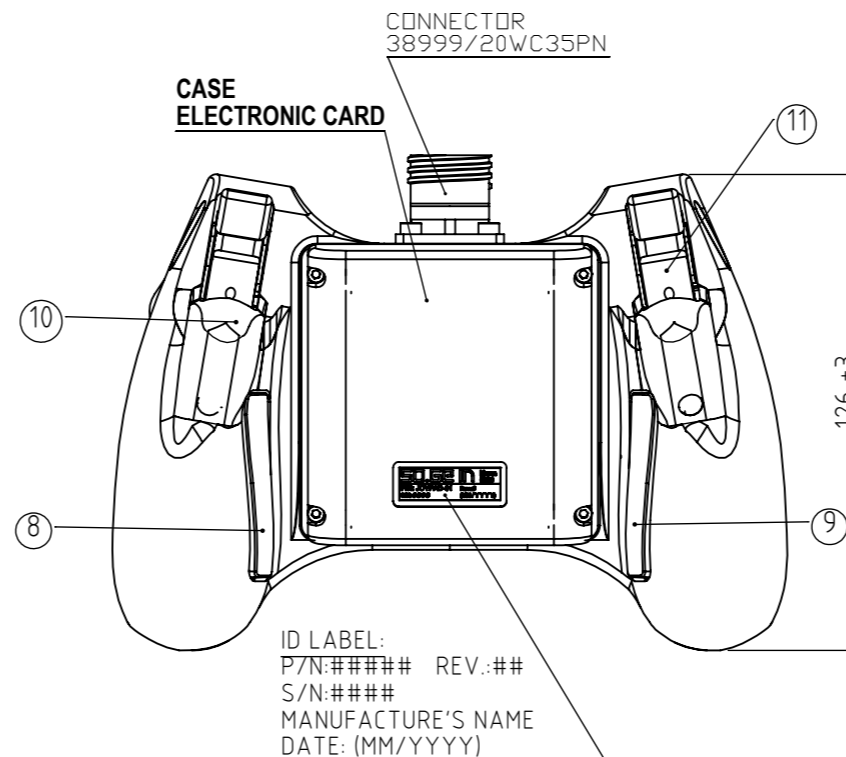
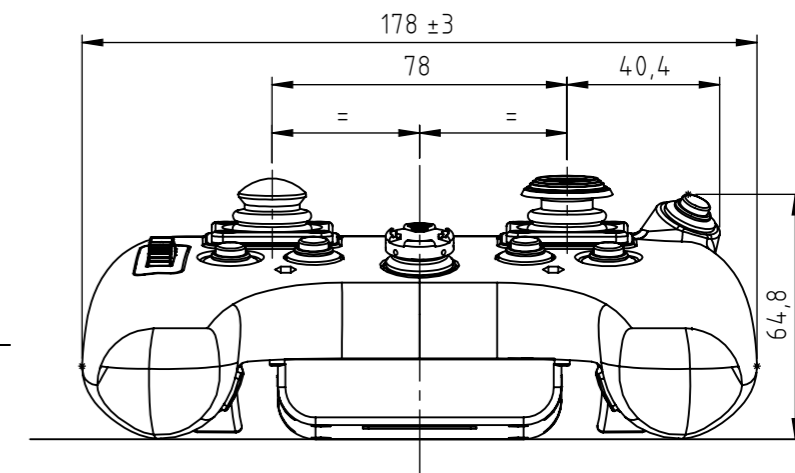
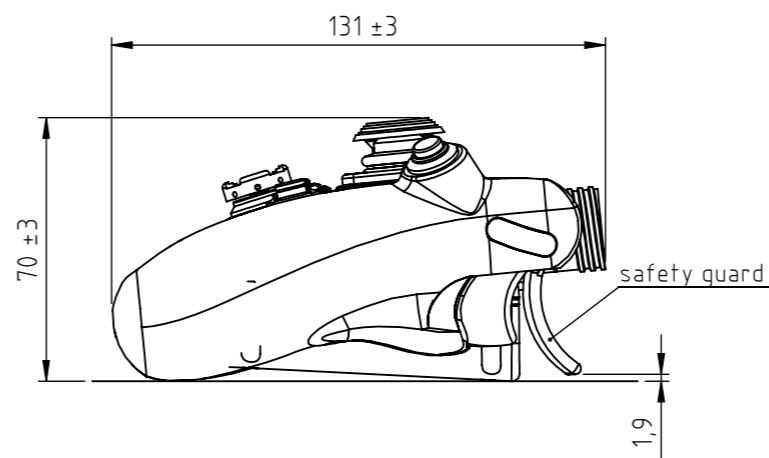
3) RELIABILITY
 LIFE:
 Electrical Life: 25000 cycles (nominal)
 INSULATION RESISTANCE: >10 MOhm @ 50 VDC,
 all wires to metal chassis

4) ENVIRONMENTAL
 TEMPERATURE:
 Operating: -55 to +85 °C
 Non operating: -55 to +125 °C

ATMOSPHERIC PRESSURE:
 Operating: 75 to 110 kPa, 25°C
 Non operating: 10 kPa, 25°C
 WATER REPELLANCY: IP 67

HUMIDITY: operating, 44°C, 93%, 16 hrs. per FINABEL 2.C.10,
 chap. 24, grade 44/16
 FUNGUS: materials used shall not allow fungus growth
 SALT FOG: 5%, 35 °C, 96 hrs.

SAND & DUST: 300 micron, 8 to 10 m/s, 40 °C, 3 hrs,
 per FINABEL 2.C.10,
 chapt. 43



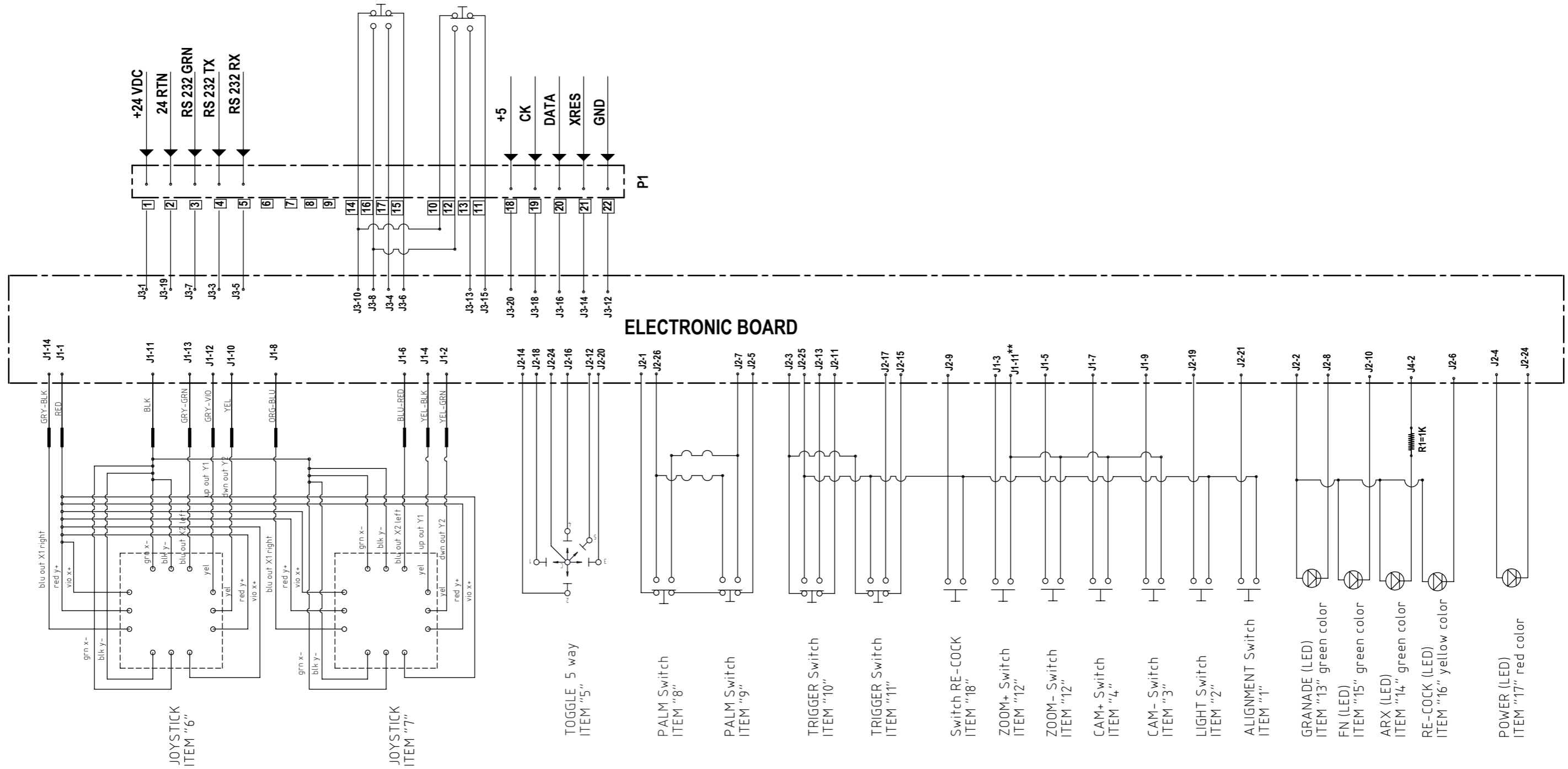
ITEM	DESCRIPTION	P/N	QTY	MANUFACTURER
	ELECTRONIC CARD	CTRL MK2	1	OTOMELARA
13-14-15-16-17	LED	CP35215	5	OXLEY (COLOR TBD)
12	2 WAY TOGGLE	TS-2-12 (BLACK)	1	SO.GE.IN
10-11	TRIGGER	HG-00-296 COLOR (GREY AND RED GUARD)	2	SO.GE.IN
8-9	PALM SWITCH	P7_1 (BLACK)	2	OTOMELARA
7	JOYSTICK DISPLACEMENT 2 DIRECTION, FORE, BACK, RIGTH, LEFT	HTL4_312111GG12 STYL 6 (BLACK)	1	OTOMELARA
6	JOYSTICK DISPLACEMENT 2 DIRECTION, FORE, BASCK, RIGTH, LEFT	HTL4_312111GG12 STYL 3 (BLACK)	1	OTOMELARA
5	5 WAY TOGGLE	TS-5-04 COLOR (BLACK)	1	SO.GE.IN
2	PUSHBUTTON	P7_3 (WHITE)	1	OTOMELARA
1-3-4-18	PUSHBUTTON	P7_3 (BLACK)	4	OTOMELARA

SHEET 1 OF 2

REV.	DATE	DESCRIPTION	DRAWN	CHECKED	APPROVED
0	24-09-12	FIRST EMISSION	JL	AG	MD
Part description : JOYSTICK PAD			Part number : JOYPAD-01		P/N. rev. 3
Drawing description : CONFIGURATION DRAWING			Drawing : JOYPAD-01_Rev3		Drawing. rev. 0
			ACTION	DATE	SIGNATURE
			DRAWN	24-09-12	JL
			CHECKED	24-09-12	AG
			APPROVED	24-09-12	MD
			Unit : mm	Scale: 1:2	Size: A3

This document may only be used the content of this document is the exclusive property of SO.GE.IN. This document cannot be communicated to third parties or reproduced in whole or in part. SO.GE.IN. will protect its rights under terms of law.

EMERGENCY FIRE SAFETY



NOTE:

comm
J2-24, (COMM) ITEM "5"
J2-24, ITEM "17"

comm
J1-11, ITEM "12"
J1-11, ITEM "6"

0	24-09-12	FIRST EMISSION	JL	AG	MD
REV.	DATE	DESCRIPTION	DRAWN	CHECKED	APPROVED
Part description : JOYSTICK PAD			Part number : JOYPAD-01		P/N. rev. 2
Drawing description : ELECTRICAL DRAWING			Drawing : JOYPAD-01_Rev3		Drawing. rev.
 S.r.l. - Via Bordigona,11- MASSA - ITALY Phone : ++39/585/251616 Fax : ++39/585/251711 E-mail : sogein@sogein.eu			ACTION	DATE	SIGNATURE
			DRAWN	24-09-12	JL
			CHECKED	24-09-12	AG
			APPROVED	24-09-12	MD
Model 3D:			Unit : mm	Scale: 1:2	Size: A3
This document may only be used if the content of this document is the exclusive property of SO.GE.IN. This document cannot be communicated to third parties or reproduced in whole or in part. SO.GE.IN. will protect its rights under terms of law.					

USE	
LM	No
FIN	No
TS	No
PA	No
SL	No
CA	No
DS	Yes