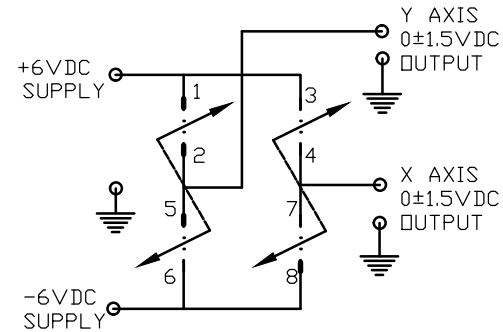


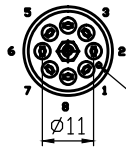
NOTES (further info on Doc. SO.GE.IN.J01)

1. ABSOLUTE MAX EXCITATION IS 6 VDC OR AC RMS ACROSS EACH ELEMENT (0.1W/EL).
2. RESISTANCE OF EACH ELEMENT: 410 ±10% OHM.
3. SENSITIVITY: 0.10 V (±20%) PER NEWTON FORCE FOR TEST CIRCUIT SHOWN (±6V).
4. SENSITIVITY TEMPERATURE COEFFICIENT: ±0.2% PER °C MAX.
5. NULL OFFSET: ±0.18 V MAX FOR TEST CIRCUIT SHOWN (±6V).
6. NULL TEMPERATURE COEFFICIENT: ±0.04% OF FULL SCALE OUTPUT PER °C MAX.

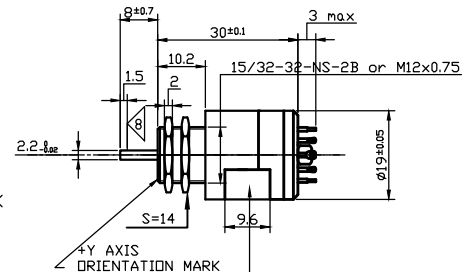
7. NULL HYSTERESIS: ±0.007 V MAX AFTER 5 SECONDS FOLLOWING RELEASE OF 16.3 N APPLIED FORCE, FOR TEST CIRCUIT SHOWN (±6V).
8. APPLIED FORCE: 0 TO 15 N LIMITED BY A MECHANICAL STOP. ABSOLUTE MAX IS 120 N.
9. RESOLUTION: INFINITE, NO DEAD ZONE.
10. CASE MATERIAL: BRASS AND BLACK ANODIZED ALUMINIUM ALLOY.
11. SEAL TYPE: METAL BELLOW



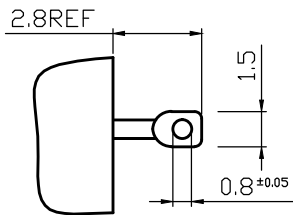
TEST CIRCUIT



TERMINAL ORIENTATION MARK



PART NUMBER
SERIAL NUMBER
MANUFACTURER'S NAME



TERMINAL DETAIL (8 PLACES)

0	16/10/88	FIRST EMISSION	RBF	AG	MD
REV.	DATE	DESCRIPTION	DRAWN	CONTROLLED	APPROVED

COSTUMER:		SUPPLY:	
LEGEND: MINIATURE TWO AXIS JOYSTICK MODEL PAL 215		CATEGORY:	MATERIAL:
		CRITICAL:	TREATMENT:
		SPEC. TECN. N°:	SUPERSEDES:
			MODIFIES:
		COMPLEMENTARY DOCUMENTS:	
		ACTION	NAME
S.r.l. - VIA BORGOGNOLA, 9 - MASSA - ITALY		DRAWN	16/10/88
Phone : ++39/0585/231818		CONTROLLED	
Fax : ++39/0585/237711		APPROVED	
E-mail : sogein@25.it		DWG. NUMBER: J05-CD01	
		SHEET 1/1	

This drawing is exclusive property of SO.GE.IN S.r.l. (MASSA, Italy) - Copy and transmission are prohibited by the terms of law