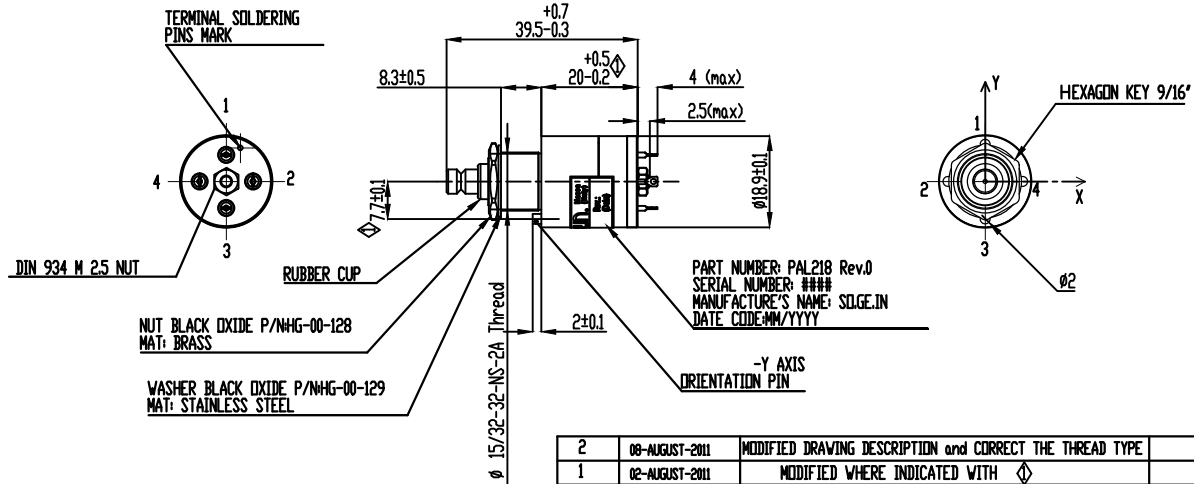
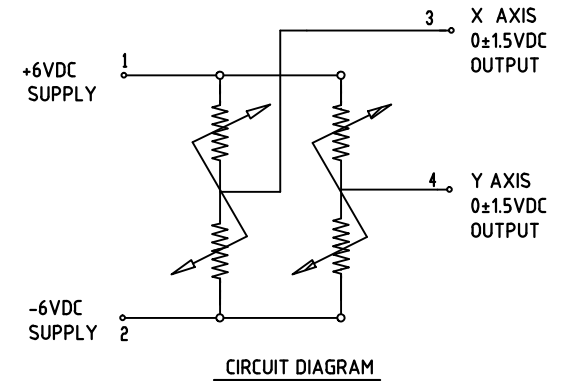
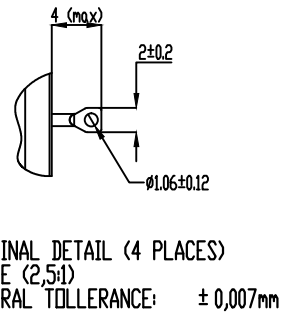
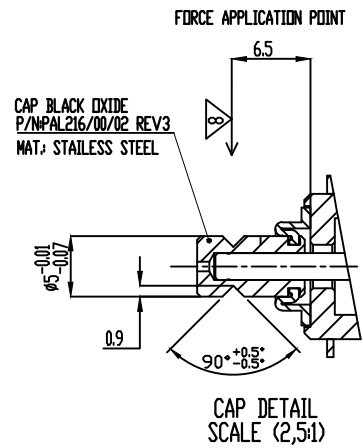


NOTES (further info on Doc. PAL218_ST

1. ABSOLUTE MAX EXCITATION IS 6 VDC OR AC RMS ACROSS EACH ELEMENT (0.1W/EL).
2. RESISTANCE OF EACH ELEMENT: $410 \pm 10\%$ OHM.
3. SENSITIVITY: 0.11 V ($\pm 20\%$) PER NEWTON FORCE FOR TEST CIRCUIT SHOWN ($\pm 6VDC$).
4. SENSITIVITY TEMPERATURE COEFFICIENT: $\pm 0.2\%$ PER °C MAX.
5. NULL OFFSET: ± 0.18 V MAX FOR TEST CIRCUIT SHOWN ($\pm 6VDC$).
6. NULL TEMPERATURE COEFFICIENT: $\pm 0.04\%$ OF FULL SCALE OUTPUT PER °C MAX.
7. NULL HYSTERESIS: ± 0.007 V MAX AFTER 5 SECONDS FOLLOWING RELEASE OF 16.3 N APPLIED FORCE, FOR TEST CIRCUIT SHOWN ($\pm 6VDC$).
8. APPLIED FORCE: 0 TO 13.5 N LIMITED BY A MECHANICAL STOP. ABSOLUTE MAX IS 120 N.
9. RESOLUTION: INFINITE, NO DEAD ZONE.
10. CASE MATERIAL: BRASS AND BLACK ANODIZED ALUMINIUM ALLOY.
11. SEAL TYPE: ERMETIC METAL BELLOW.
12. NO CADMIUM PLATINGS WILL BE USED.
13. OUTPUT $\pm 1.5V$ ($\pm 6VDC$).



2	08-AUGUST-2011	MODIFIED DRAWING DESCRIPTION and CORRECT THE THREAD TYPE	JL	RB	MD
1	02-AUGUST-2011	MODIFIED WHERE INDICATED WITH \diamond	JL	RB	MD
0	27-JULY-2011	FIRST EMISSION	JL	AG	MD
REV.	DATE	DESCRIPTION	DRAWN	CHECKED	APPROVED

Part description : MINIATURE TWO AXIS JOYSTICK			Part number : PAL218		P/N rev. 0	LN No
Drawing description : CONFIGURATION CONTROL DRAWING			Drawing : PAL218		Drawing rev. 2	FIN No
			Model 3D : PAL218			TS No
			Unit : mm		Scale: 1:1	Size: A3
ACTION		DATE	SIGNATURE			PA No
DRAWN		26-JULY-2011	JL			SL No
CHECKED		26-JULY-2011	AG			CA No
APPROVED		26-JULY-2011	MD			IS Yes

GENERAL TOLERANCE: $\pm 0.1mm$