

Revision					
Area	Rev.	Description	Date	Drawin	Approved

SPECIFICATION

MECHANICAL CONFIGURATION PERFORMANCE CHARACTERISTICS

OPERATION:
M3D IS A MULTI-AXIAL FORCE CONTROL GRIP,
PROVIDING A 6 DOF CONTROL DISPLACEMENT
AND ROTATION (Ux, Uy, Mx, My, Mz), REFFERED
TO 3 MUTUALLY PERPENDICULAR AXIS.

OPERATION FORCE/TORQUE (LINEAR RANGE):
22N (Ux, Uy), 45N (Uz), 0.85Nm (Mx, My), 1.7Nm (Mz), 1.5N (p,t)

MASS: 1.5Kg MAX

MATERIAL:
ALLOY, 6082 T6
PROTECTION: ALODYNE 1200S - MIL C 5541E
FINISH: PRIMER EPOXY 37063 (PRF. MIL-P-53022)
COATING: EPOXY 15F4 27925 (PRF MIL-C-22750)
2 LAYER SEMIGLOSS FINISH.

POWER IMPUT: 5VDC@200mA MAX

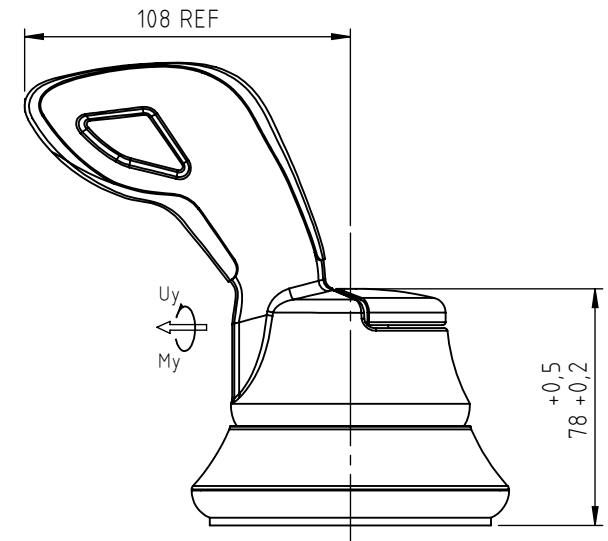
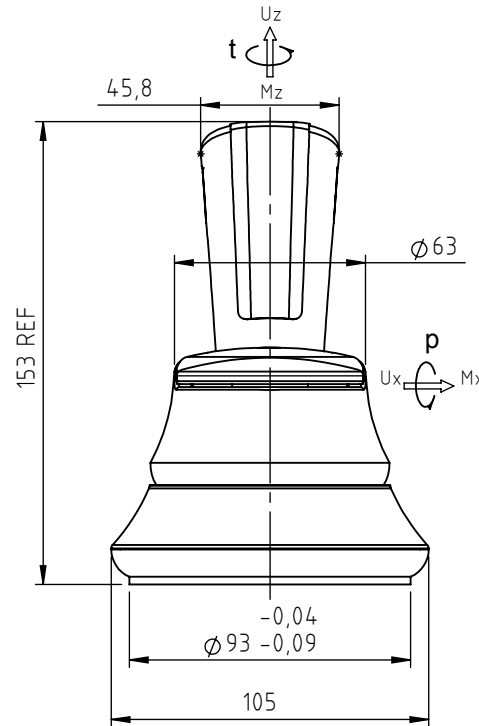
OUTPUT: RS"422", 8 BIT/AXIS, 19200 BAUND MAX

IDENTIFICATION LABEL; MANUFACTURER, P/N, S/N, DATE.


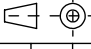
RELIABILITY/ENVIRONMENTAL:
NOTE: THIS DEVICE IS NOW SUITABLE FOR EXPERIMENTAL
APPLICATION ONLY, AT TIME, IT HAS NOT BEEN TESTED NOR
QUALIFIED OR FOR HIGHT REABILITY OR EXTENDED LIFE APPLICATION.

INSULATION RESISTANCE: >10M0hm@50VDC, ALL WIRES
TO METAL CHASSIS.

TEMPERATURE:
OPERATING: 0 TO 70°C
STORAGE: -25 TO +85°C



ASSONOMETRIC VIEW

Material:		Coating:		General tolerances:	
Part description: 6 AXIS CONTROL			Part number : SB11		P/N. rev. 0
Drawing description: CONFIGURATION DRAWING			Drawing : SB11-CD		
 S.r.l. - Via Bordigona,11- MASSA - ITALY Phone: ++39/585/251616 Fax : ++39/585/251711 E - mail : sogein@sogein.eu		Action	Date	Signature	USE
		Drawin	05/12/2013	JL	LM No
		Checked	05/12/2013	AG	FIN No
		Approved	05/12/2013	MD	TS No
Model 3D: SB11-00			Drawing. rev. 0		PA No
Unit : mm			Scale: 1:2.5		SL No
Size: A4			Sheet: 1 of 1		CA No
Sheet: 1 of 1			DFT: Yes		CD Yes
Sheet: 1 of 1			DFT: Yes		Angle projection: 

This document may only be used the content of this document is the exclusive property of SO.GE.IN. This document cannot be communicated to third parties or reproduced in whole or in part. SO.GE.IN. will protect its rights under terms of law.