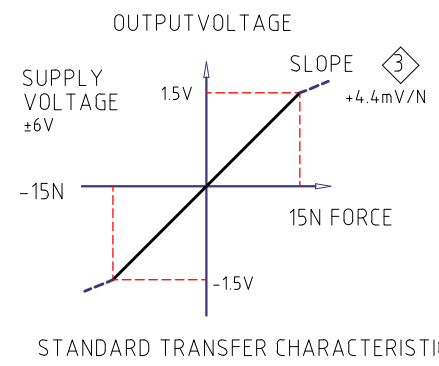
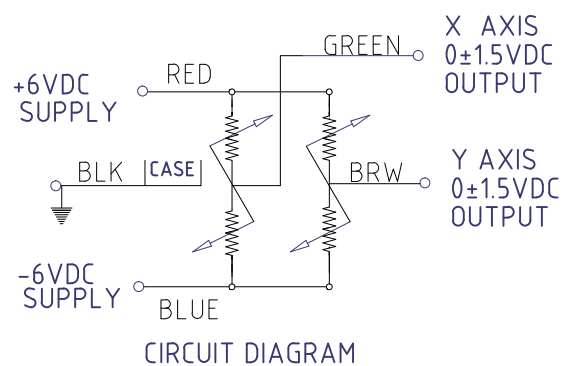
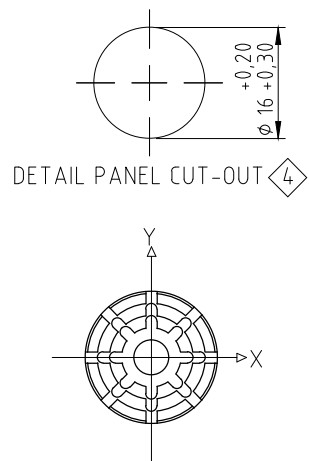
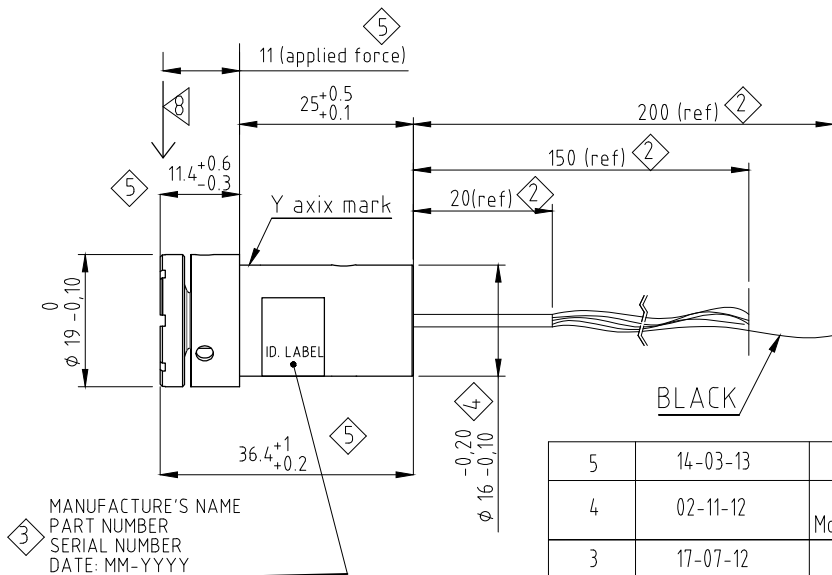


NOTES

1. ABSOLUTE MAX EXCITATION IS 6 VDC OR AC RMS ACROSS EACH ELEMENT (0.1W/EL).
2. RESISTANCE OF EACH ELEMENT: NOMINAL 1125 OHM, BONDED 900±12%OHM
3. SENSITIVITY: 0.11 V (±10%) PER NEWTON FORCE(99±121 m V/N). FOR TEST CIRCUIT SHOWN(±6V).
4. SENSITIVITY TEMPERATURE COEFFICIENT: ±0.2% PER °C MAX.
5. NULL OFFSET: ±0.10 V MAX FOR TEST CIRCUIT SHOWN (±6V).
6. NULL TEMPERATURE COEFFICIENT: ±0.04% OF FULL SCALE OUTPUT PER °C MAX.
7. NULL HYSTERESIS: ±0.03V MAX AFTER 7 SECONDS FOLLOWING RELEASE OF 16.3 N APPLIED FORCE, FOR TEST CIRCUIT SHOWN (±6V).
8. APPLIED FORCE: 0 TO 15 N (+10%) LIMITED BY A MECHANICAL STOP. ABSOLUTE MAX IS 120 N.
9. RESOLUTION:INFINITE, NO DEAD ZONE.
10. CASE MATERIAL: ANODIZED ALUMINIUM ALLOY.
11. JOYSTICK HARNESS LENGTH : 150 mm .
12. JOYSTICK HARNESS TYPE : 28 AWG ,MIL-W-22759/11-28-X
13. OUT PUT AT MECHANICAL STOP : > 1320 m V



5	14-03-13	Modified where indicated with 5	RBF	AG	MD
4	02-11-12	Changed where indicated with 4, and added detail panel cut-out. Mod. note 5 and 7, in according to CW specification 43541046 in date 19/07/2012	JL	AG	MD
3	17-07-12	Changed where indicated with: 5	RBF	AG	MD
2	21-01-11	Changed where indicated 2	JL	AG	MD
1	09-03-10	CHANGED NOTA 2-12 IN ACCORD WITH THE MEETING OF NOVEMBER 09	JL	AG	MD
REV.	DATA	DESCRIPTION	DRAWN	CHECKED	APPROVED

Descrizione parte: Miniature two axis joystick			Part number : SJ 112		P/N. rev. 2		LAV	
Descrizione disegno: Configuration control drawing			Disegno : SJ 112		Disegno. rev. 5		LM	No
			AZIONE		DATA		FIRMA	
			DISEGNATO		25-11-09		J.L.	
S.r.l. - Via Bordinona,11- MASSA - ITALY Phone : ++39/585/251616 Fax : ++39/585/251711 E - mail : sogein @ sogein . eu			CONTROLLATO		25-11-09		A.G.	
			APPROVATO		25-11-09		M.D.	
			Unita': mm		Scala: 1:1		Formato: A4	

Il presente disegno è di proprietà della ditta SO.GE.IN. S.r.l. (MASSA, Italia) - Riproduzione e trasmissione a Terzi vietate a termine di legge