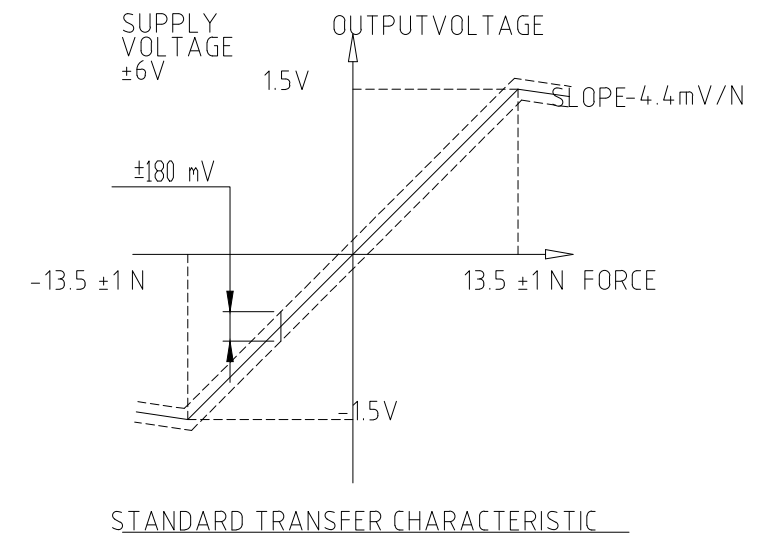
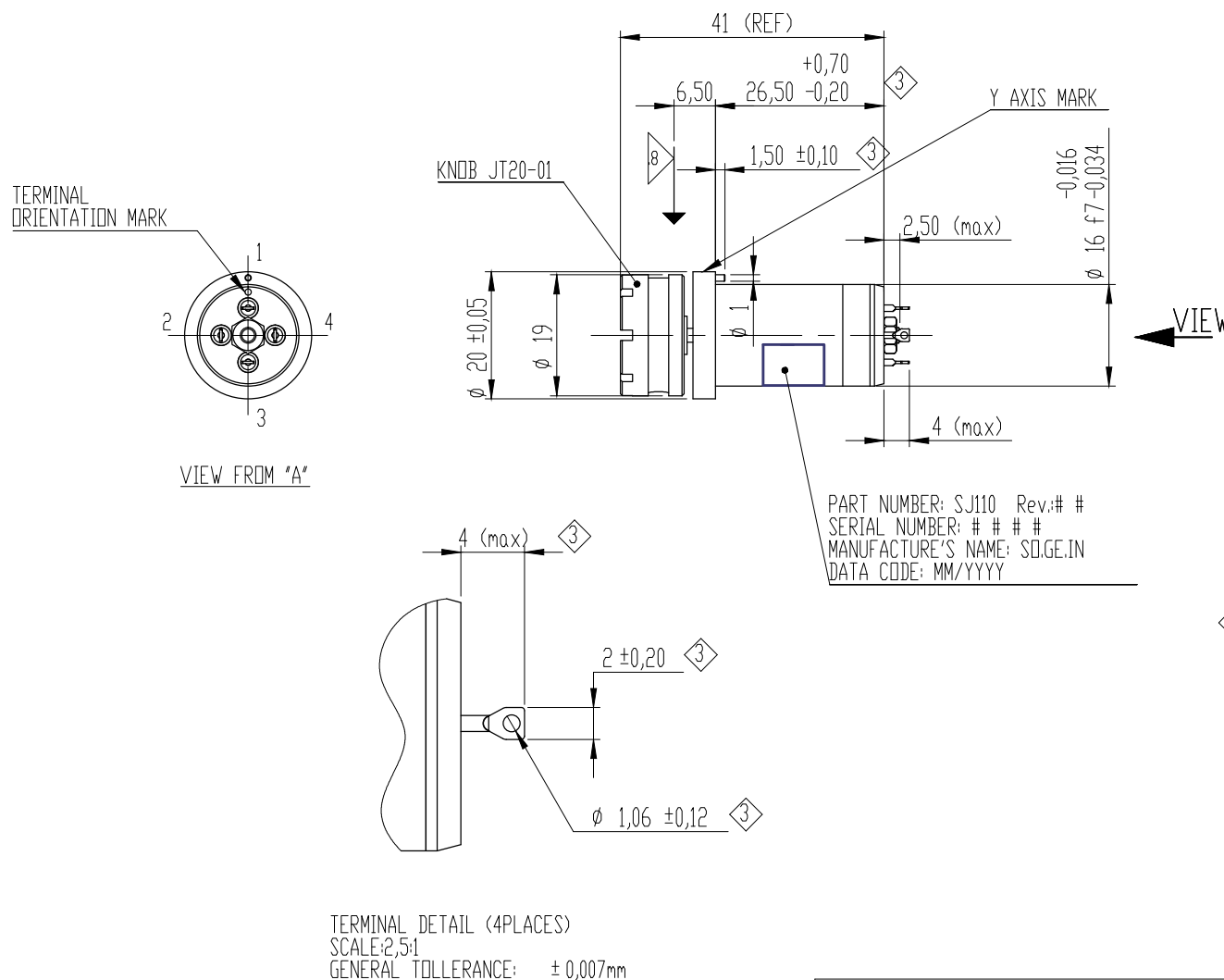
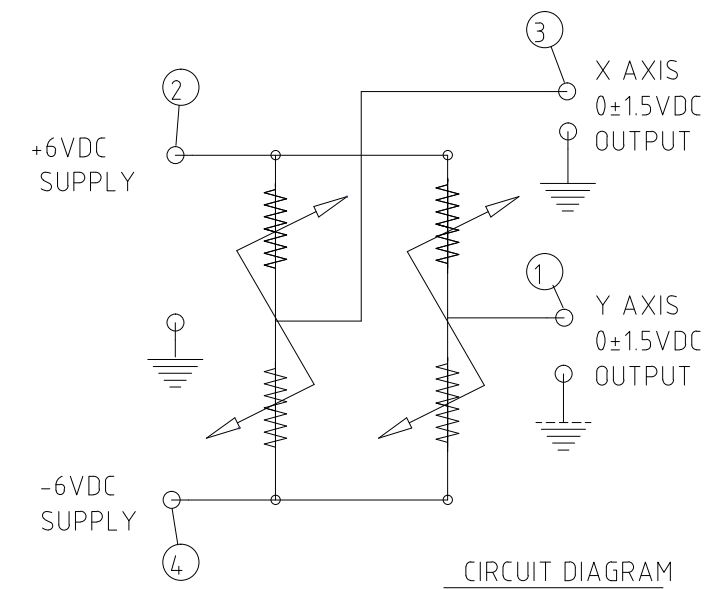


NOTES: (further info on Doc. SO.GE.IN.J01)

1. ABSOLUTE MAX EXCITATION IS 6 VDC OR AC RMS ACROSS EACH ELEMENT (0.1W/EL).
2. RESISTANCE OF EACH ELEMENT: $410 \pm 10\%$ OHM.
3. SENSITIVITY: 0.11 V ($\pm 20\%$) PER NEWTON FORCE FOR TEST CIRCUIT SHOWN ($\pm 6V$).
4. SENSITIVITY TEMPERATURE COEFFICIENT: $\pm 0.2\%$ PER $^{\circ}C$ MAX.
5. NULL OFFSET: ± 0.18 V MAX FOR TEST CIRCUIT SHOWN ($\pm 6V$).
6. NULL TEMPERATURE COEFFICIENT: $\pm 0.04\%$ OF FULL SCALE OUTPUT PER $^{\circ}C$ MAX.
7. NULL HYSTERESIS: ± 0.007 V MAX AFTER 5 SECONDS FOLLOWING RELEASE OF 16.3 N APPLIED FORCE, FOR TEST CIRCUIT SHOWN ($\pm 6V$).
8. APPLIED FORCE: 0 TO 13.5 ± 1 N LIMITED BY A MECHANICAL STOP. ABSOLUTE MAX IS 120 N.
9. RESOLUTION: INFINITE, NO DEAD ZONE.
10. CASE MATERIAL: BRASS AND BLACK ANODIZED ALUMINIUM ALLOY.
11. SEAL TYPE: HERMETIC METAL BELLOWS.
12. LINEARITY: $\pm 2\%$ OF FULL SCALE OUTPUT (see J01 DOC)
13. X-Y CROSS COUPLING: $< 3\%$



REV.	DATE	DESCRIPTION	DRAWN	CHECKED	APPROVED
3	04/01/2012	ADDED TOLLERANCE, MOD. TERMINAL DETAIL VIEW	JL	AG	MD
2	04/08/2010	MOD. P/N KNOB	RBF	AG	MD
1	16/12/2009	ADDED P/N KNOB	RBF	AG	MD
0	15/05/2009	FIRST EMISSION	RBF	AG	MD

Part description : MINIATURE TWO AXIS JOYSTICK SJ110	Part number : SJ110	P/N rev. : 0	USE
Drawing description : SPECIFICATION CONTROL DRAWIN	Drawing : SJ110	Drawing rev. : 3	LM No FIN No TS No PA No SL No CA No DS Yes
Model 3D: SJ110	Unit : mm	Scale: 1:1	Size: A3

ACTION	DATE	SIGNATURE
DRAWN	15/05/2009	RBF
CHECKED	15/05/2009	AG
APPROVED	15/05/2009	MD

Sr.L. - Via Bardigona,11- MASSA - ITALY
 Phone : ++39/585/251616
 Fax : ++39/585/251711
 E-mail : sogein @ sogein . eu

This document may only be used the content of this document is the exclusive property of SO.GE.IN. This document cannot be communicated to third parties or reproduced in whole or in part. SO.GE.IN. will protect its rights under terms of law.