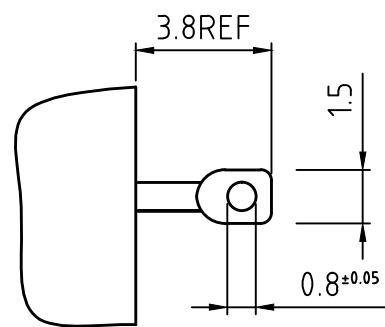
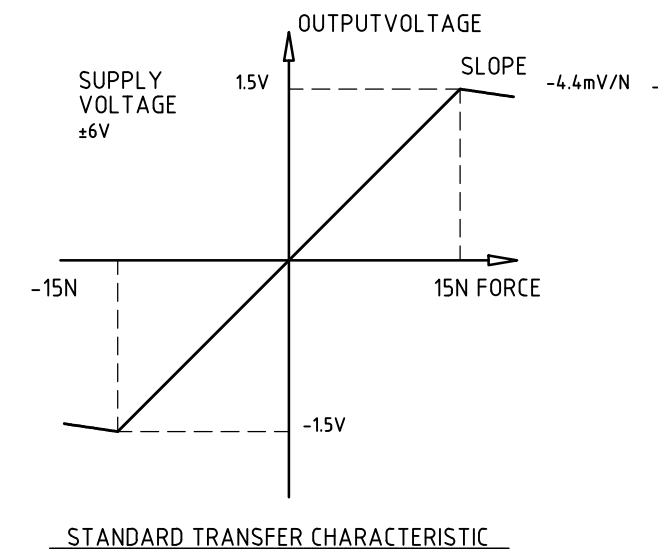
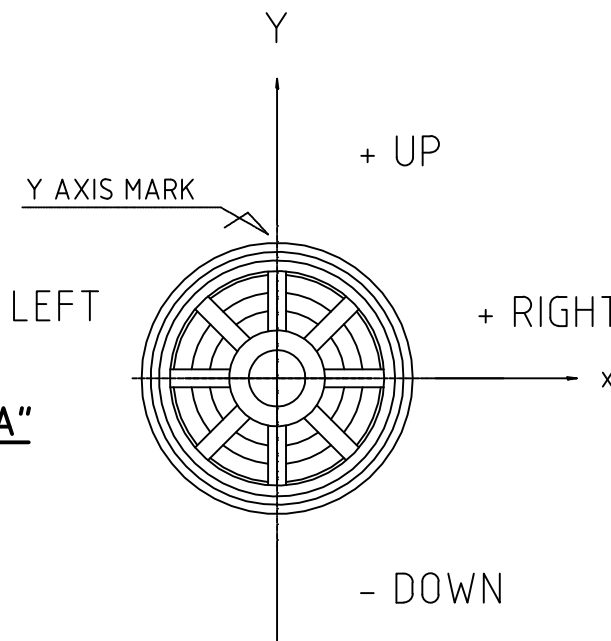
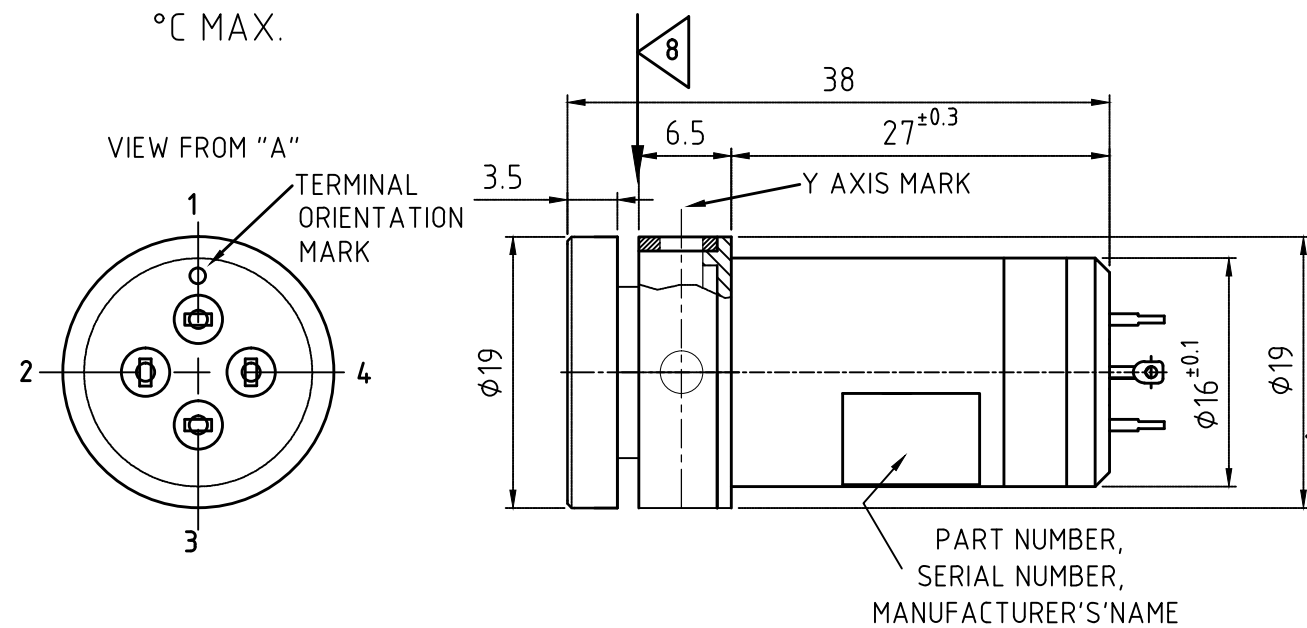
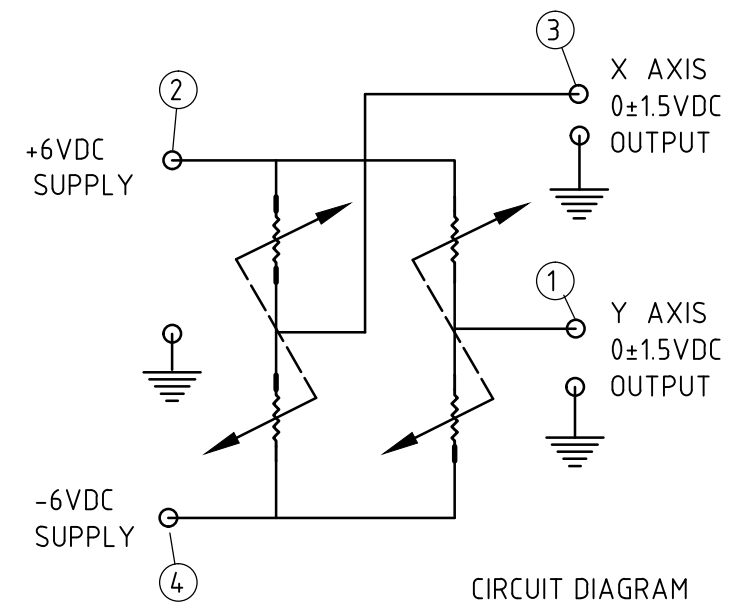


NOTES (further info on Doc. SO.GE.IN.J01)

1. ABSOLUTE MAX EXCITATION IS 6 VDC OR AC RMS ACROSS EACH ELEMENT (0.1W/EL).
2. RESISTANCE OF EACH ELEMENT: $410 \pm 10\%$ OHM.
3. SENSITIVITY: 0.10 V ($\pm 20\%$) PER NEWTON FORCE FOR TEST CIRCUIT SHOWN ($\pm 6V$).
4. SENSITIVITY TEMPERATURE COEFFICIENT: $\pm 0.2\%$ PER $^{\circ}C$ MAX.
5. NULL OFFSET: ± 0.18 V MAX FOR TEST CIRCUIT SHOWN ($\pm 6V$).
6. NULL TEMPERATURE COEFFICIENT: $\pm 0.04\%$ OF FULL SCALE OUTPUT PER $^{\circ}C$ MAX.
7. NULL HYSTERESIS: ± 0.007 V MAX AFTER 5 SECONDS FOLLOWING RELEASE OF 16.3 N APPLIED FORCE, FOR TEST CIRCUIT SHOWN ($\pm 6V$).
8. APPLIED FORCE: 0 TO 15 N LIMITED BY A MECHANICAL STOP. ABSOLUTE MAX IS 120 N.
9. RESOLUTION: INFINITE, NO DEAD ZONE.
10. CASE MATERIAL: BRASS AND BLACK ANODIZED ALUMINIUM ALLOY.
11. SEAL TYPE: HERMETIC METAL BELLOWS



TERMINAL DETAIL (4 PLACES)

General tolerance ± 0.2 mm

REV.	DATE	DESCRIPTION	DRAWN	CHECKED	APPROVED
0	15-10-2010	FIRST EMISSION	RBF	AG	MDA

Part description : Miniature two axis joystick	Part number : SJ/0/12/2/2/R	P/N rev. 1	USE
Drawing description : Specification control drawing	Drawing : SJ/0/12/2/2/R-CD	Drawing rev. 0	LH No
			FIN No
			TS No
			PA No
			SL No
			CA No
			DS YES

ACTION	DATE	SIGNATURE
DRAWN	15-10-2010	RBF
CHECKED	-	-
APPROVED	-	-

Model 3D: -	Unit : mm	Scale: 2:1	Size: A3
-------------	-----------	------------	----------

SO.GE.IN.
 S.p.A. - Via Borgognoni, 11 - MASSA - ITALY
 Phone : +39/0585/226616
 Fax : +39/0585/226711
 E-mail : sogetin@sogetin.eu

This document may only be used the content of this document is the exclusive property of SO.GE.IN. This document cannot be communicated to third parties or reproduced in whole or in part. SO.GE.IN. will protect its rights under terms of law.