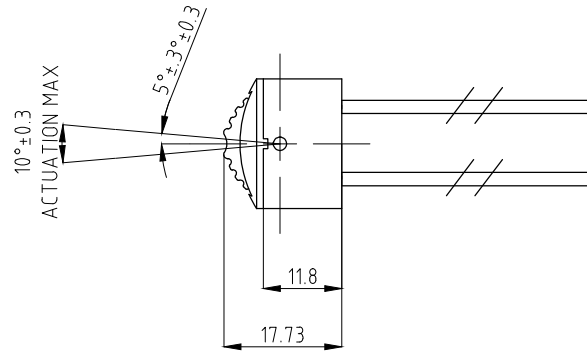
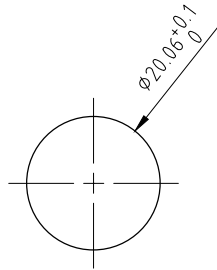
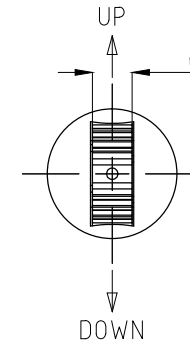
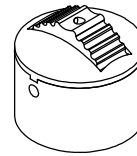


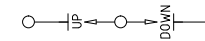
DETAIL PANEL HOLE
SCALE 1:1



ASSONOMETRIC VIEW



SCHEMATIC
DIAGRAM



PHYSICAL CHARACTERISTICS:

BUTTON: BLACK ANODIZED DELRIN
HOUSING: BLACK DELRIN POM 7728

0	18/08/2014	FIRST EMISSION			MV	MD				
Rev.	Date	Description			Drawn	Approved				
Part description: 2 WAYS TOGGLE SWITCH				Part number : TS-2-10-SA		P/N. rev. 0	USE LM No FIN No	General tolerances: +/-0.1		
Drawing description: CONFIGURATION DRAWING				Drawing : TS-2-10_CD-SA					Drawing. rev. 0	TS No PA No SL No CA No
 S.r.l. - Via Bolognese,11- MASSA - ITALY Phone : ++39/585/251616 Fax : ++39/585/251711 E - mail : sogein @ sogein . eu				Drawn	18/08/2014	MV	Model 3D:			
				Checked	18/08/2014	AG	TS-2-10-00		CD Yes	Sheet: 1 of 1
				Approved	18/08/2014	MD	Unit : mm	Scale: 1:1	Size: A4	
This document may only be used the content of this document is the exclusive property of SO.GE.IN. This document cannot be communicated to third parties or reproduced in whole or in part. SO.GE.IN. will protect its rights under terms of law.										