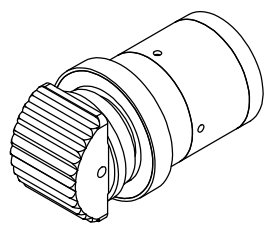
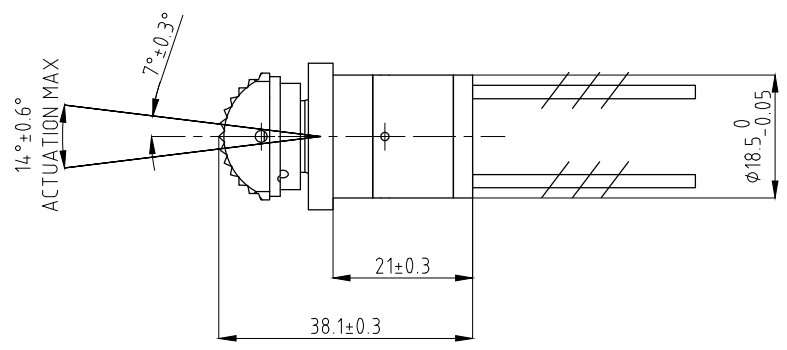
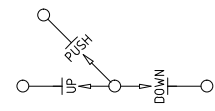
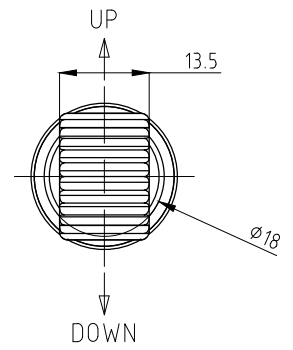


DETAIL PANEL HOLE
SCALE 1:1



ASSONOMETRIC VIEW



SCHEMATIC
DIAGRAM

PHYSICAL CHARACTERISTICS:

 BUTTON: NYLON 151
 HOUSING: BLACK DELRIN POM C DIN 7728

0	18/08/2014	FIRST EMISSION	MV	MD	
Rev.	Date	Description	Drawn	Approved	
Part description: 3 WAYS TOGGLE SWITCH		Part number : TS-3-08-SA	P/N. rev. 0	USE LM No FIN No General tolerances: +/-0.1	
Drawing description: CONFIGURATION DRAWING		Drawing : TS-3-08_CD-SA	Drawing. rev. 0		
 S.r.l. - Via Bordigona,11- MASSA - ITALY Phone : +39/585/251616 Fax : +39/585/251711 E - mail : sogein @ sogein . eu	Action	Date	Signature	Angle projection: 	
	Drawn	18/08/2014	MV		
	Checked	18/08/2014	AG		
	Approved	18/08/2014	MD		
Model 3D: TS-3-08-00		Unit : mm	Scale: 1:1	Size: A4	Sheet: 1 of 1
This document may only be used the content of this document is the exclusive property of SO.GE.IN. This document cannot be communicated to third parties or reproduced in whole or in part. SO.GE.IN. will protect its rights under terms of law.					