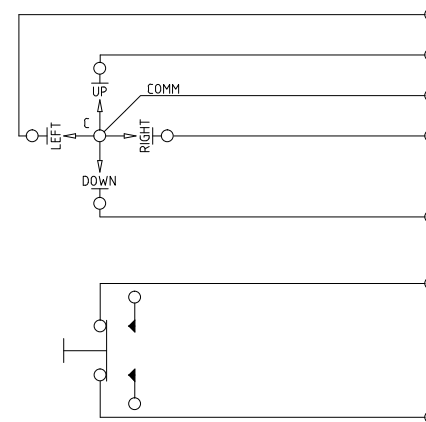



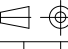
ASSONOMETRIC VIEW



SCHEMATIC DIAGRAM

PHYSICAL CHARACTERISTICS:

BUTTON: POLYAMIDE 6-6 BLACK  
HOUSING: 6082 T6 or 6027 T6

0	18/08/2014	FIRST EMISSION				MV	MD		
Rev.	Date	Description				Drawn	Approved		
Part description: 4 WAYS SELECTOR SWITCH WITH PUSHBUTTON			Part number : TS-5-09-A-SA		P/N. rev. : 0	USE	General tolerances: +/-0.1		
Drawing description: CONFIGURATION DRAWING			Drawing : TS-5-09-A_CD-SA		Drawing. rev. : 0	LM No			
 S.r.l. - Via Bordigona,11- MASSA - ITALY Phone : +39/585/251616 Fax : +39/585/251711 E-mail : sogein@sogein.eu			Drawn	18/08/2014	MV	TS No	Angle projection: 		
			Checked	18/08/2014	AG	PA No			
			Approved	18/08/2014	MD	SL No		CA No	CD Yes
			Model 3D: TS-5-09-A-00		Unit : mm	Scale: 1:1		Size: A4	DFT Yes
This document may only be used if the content of this document is the exclusive property of SO.GE.IN. This document cannot be communicated to third parties or reproduced in whole or in part. SO.GE.IN. will protect its rights under terms of law.					Sheet:	1 of 1			