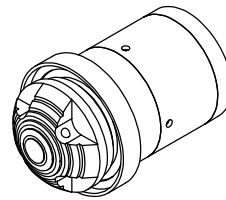
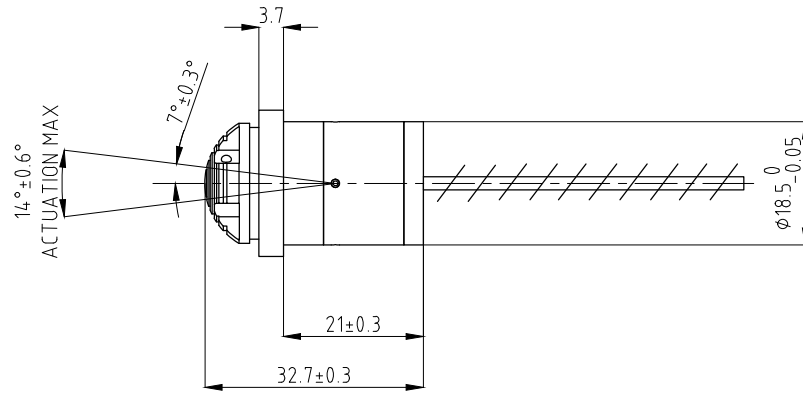
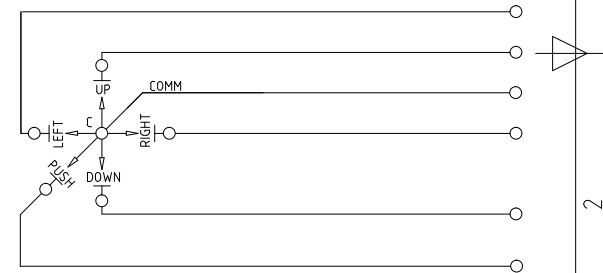
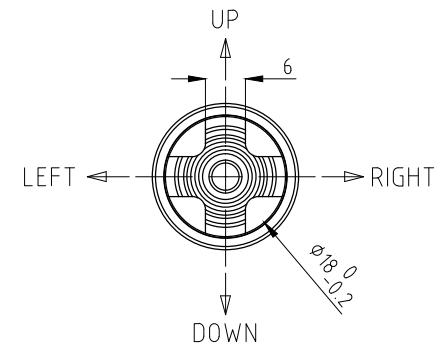


DETAIL PANEL HOLE
SCALE 1:1



ASSONOMETRIC VIEW



SCHEMATIC
DIAGRAM

PHYSICAL CHARACTERISTICS:

BUTTON: BLACK ANODIZED 6082 T6
HOUSING: BLACK DELRIN POM 7728

0	18/08/2014	FIRST EMISSION	MV	MD	
Rev.	Date	Description	Drawn	Approved	
Part description: 5 WAYS TOGGLE SWITCH		Part number: TS-5-11-SA	P/N. rev. 0	General tolerances: +/-0.1	
Drawing description: CONFIGURATION DRAWING		Drawing: TS-5-11_CD-SA	Drawing. rev. 0		
 S.r.l. - Via Bordigona,11- MASSA - ITALY Phone : ++39/585/251616 Fax : ++39/585/251711 E - mail : sogein @ sogein . eu	Action	Date	Signature	USE LM No FIN No TS No PA No SL No CA No CD Yes DFT Yes	Angle projection:
	Drawn	18/08/2014	MV	Model 3D:	
	Checked	18/08/2014	AG	TS-5-11-00	Sheet:
	Approved	18/08/2014	MD	Unit : mm Scale: 1:1 Size: A4	1 of 1
This document may only be used the content of this document is the exclusive property of SO.GE.IN. This document cannot be communicated to third parties or reproduced in whole or in part. SO.GE.IN. will protect its rights under terms of law.					